

Product description



Linxcom designs and manufactures removable front and robust 1U sliding patch panels. The patch panel comes in 2 parts: the universal chassis and the removable front frames designed to accept up to 48 fibres housed within a 1U space.

SC and LC adapters will be installed into 2 removable fronts which make them recessed and protect more your patch cords offering bigger space for bigger bend radius, however FC/ST adapters will have only one removable front frame.

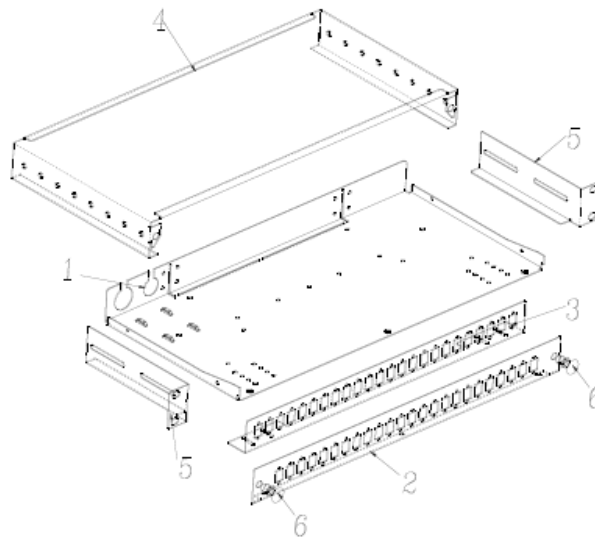
Once slid you can have the panel in 180° or 45° which allows very easy access to the engineer even if the panel is already fixed in higher position in the rack enabling them to integrate a multi functional panel during installation or re-work with no disturbance of the existing cable or pigtails

The panel comes with 2 sizes for cables entries at the left side where you can use cable glands and knock out plate for multiple entries in case of high number of cables. Both ways allow all type of cables to be installed in the panel including pre-terminated multi-core cables

You can use the built-in strength member tie positions to install steel tape armoured cable.

U Size 1U	(44.4mm)
Width	482mm
Depth	205mm
Net weight	2.75 kgs
Packaged weight	3.25 kgs
Packaged dimensions	450mm W X 55mm H x 260mm D
IP	rating IP20
Suitable for Adaptor type	Depend on the removable front frames
Cable Entry 20mm	1
Cable entry 25mm	1
Mounting Adjustment range	50mm

Material	Cold- rolled steel
Material thickness	1.2mm
Material	coating Powder coating
Colour	RAL 9004
Operating temperature	-40°c to +50°c
Designed in accordance with	TIA/EIA 568.C, ISO/IEC 11801, EN50173, IEC60304, IEC61754,EN297-1
Compliant to	RoHS, Reach/SVHC



Features and Benefits

- ✓ Up to 48 fibres in 1U
- ✓ Fits standard 19"
- ✓ 180 or 45° open working angle
- ✓ Multiple Adaptor options available
- ✓ 24 Adaptor positions
- ✓ Accepts loose tube, distribution, break-out and pre-terminated cables
- ✓ Individually labelled ports
- ✓ ROHS, REACH SvHC and UL rated

Applications

- ✓ Indoor applications
- ✓ FTTH
- ✓ Data centres, premise installations, telecommunication networks
- ✓ Ethernet, Fibre Channel, ATM, LAN, MAN and WAN